

TD-200P Horizontal Auto-Packaging Machine

(Button Knob Control Panel, Painted Finish, 4.5 feet In-Feed Conveyor)

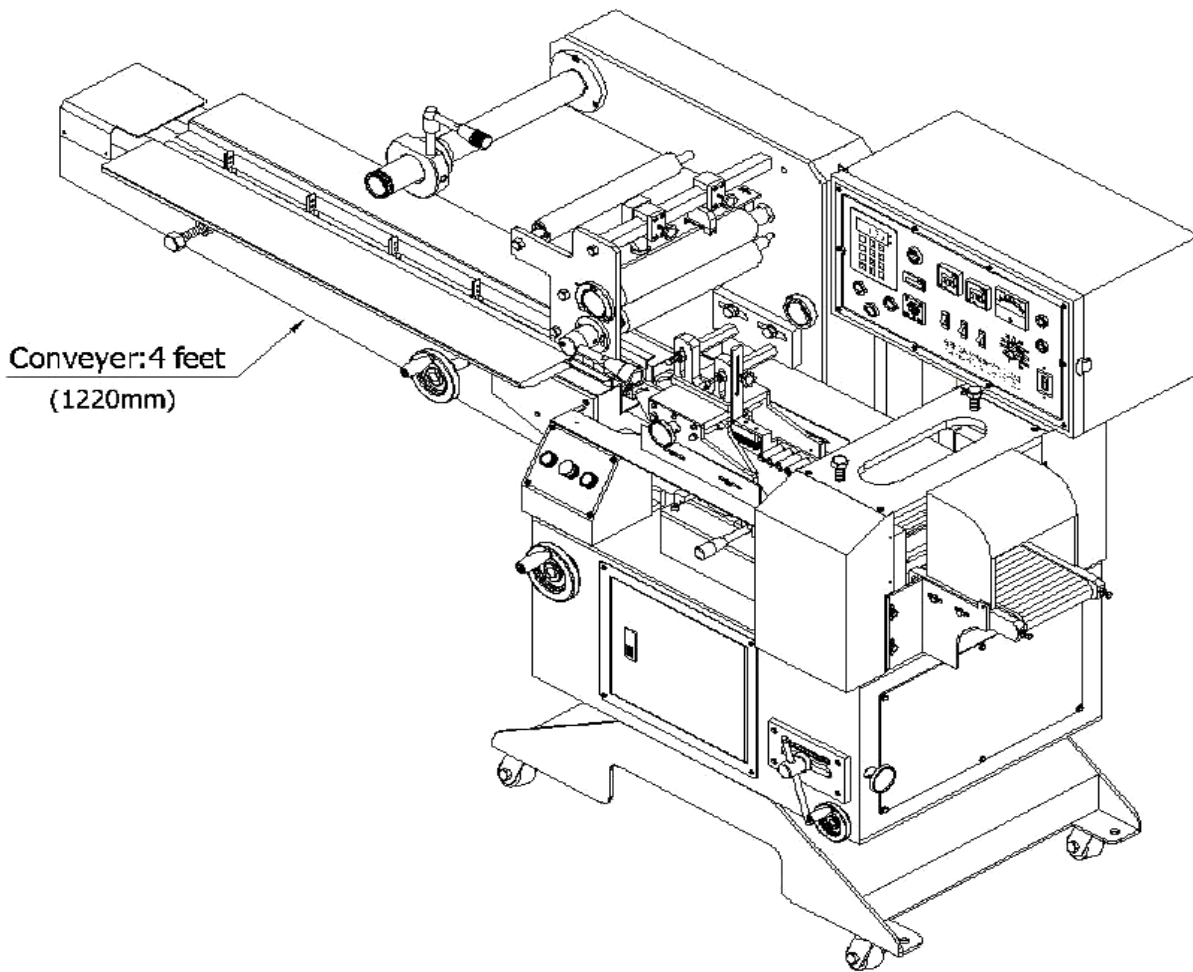


** Features

1. Ergonomic design, elegant and rational, simple yet sturdy construction.
2. Smart design and easy cleaning, suitable for manufacturer.
3. Independent Bottom-sealed and End-sealed temperature controller.
(**Japan OMRON** temperature Digital Controller)
4. **Servo Control Package.**
5. Wrapping speed and size can be adjusted at customers' request.
6. Easy to operate, packing size can be modified at customers' request..
7. Independent End-sealed cutting position adjustment.
 - >>Prevent cutting out of position product.
8. Button Knob Operator Interface:
 - >>Number-Pad and Push Button Control Panel.
 - >>Easy and quick length setting.
 - >>Fault Display & Warning Message will be displayed by code if there is any operation error.
9. Light Blue and snow white paint finished cover.
10. All surfaces in contact with product are SUS#304 stainless steel.
11. Automatic film **Eye-Mark tracking system**, reduce empty pack and film waste.
12. Maximum width of wrapping product is 100mm.
13. Cutting Knife: **Carbide Hrc 70-75 (Made in UK)**

TD-200P Horizontal Auto-Packaging Machine

(Button Knob Control Panel, Painted Finish, 4.5 feet In-Feed Conveyor)



Specification:

Machine Dimensions	Length(cm)	245	Wide(cm)	72	Height(cm)	140
Machine Weight	Net Weight(N.W.Kg)	475	Gross Weight(G.W.Kg)	625		
Electronic Features	Voltage(V)	220	Main Motor (HP)	1 (DC)		
	Frequency (HZ)	50/60	Electric Heater (KW)	2.4KW	220V	
	Servo Motor	400W 220VAC				
	Control System	Press Button Control Panel				
	Safety Device	Emergency Stop Button				
Technical Features	Sealing Mode	Continuous sealing with heated crimp wheel and straight bar end seal				
	Sealing Structure	Adjustable rotating end seal bars 150 mm width				
	Sealing Style	Former, controls film & Heat melt				
	Feeding Method	In-feed conveyor with pusher arms	Discharge Method	Rubber belt conveyor		
	Sealing Sides	Center-seal and two end-seal				
	Packing Speed(bag/min)	25-150 ppm (Depending on packing size and material)				
	Max. Width of Packing Material (mm)	300				
	Min. and Max. Packing Length (mm)	40 - 150				
	Min. and Max. Packing Width (mm)	15 - 100				
Min. and Max. Packing Height (mm)	3 - 40					